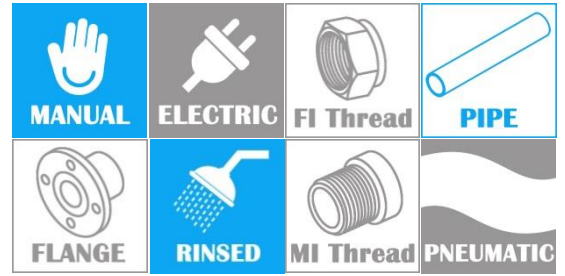
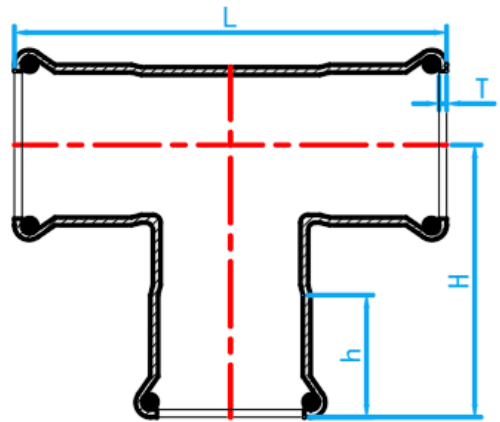
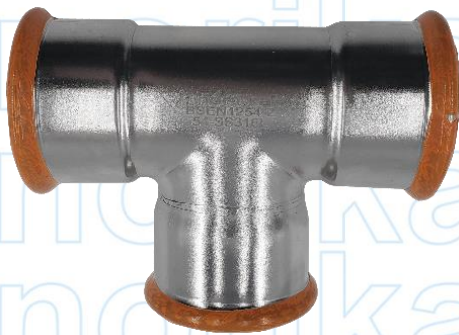


STAINLESS STEEL 316L PRESS FIT FITTINGS (M PROFILE)

COMPLY WITH BSEN1254-2:1998
AS 3688:2005
AS/NZS 4020:2005
ASTM E1086:2014
SS 375:2015
SS 270:2015



EQUAL TEE



CROSS SECTIONAL VIEW

DIMENSIONS

SKU	SIZE (mm)	L (mm)	H (mm)	h (mm)	T (mm)	WEIGHT (kg)	PCS/CTN
SS316LPFNET015	15	70	53	20	1.5	0.110	240
SS316LPFNET020	22	79	55	21	1.5	0.134	120
SS316LPFNET025	28	88	59	23	1.5	0.132	70
SS316LPFNET035	35	101	65	26	1.5	0.195	50
SS316LPFNET042	42	119	76	31	1.5	0.271	52
SS316LPFNET050	54	143	86	36	1.5	0.415	28
SS316LPFNET065	67	203	99	50	2.0	0.876	12
SS316LPFNET080	76	230	114	51	2.0	1.200	8
SS316LPFNET100	108	306	150	75	2.0	2.300	3